

COD. 500005463 REV 4

**ACERBIS PARTS**



**A**-(1 pcs.)



**B**-(1 pcs.)



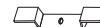
**C**-(2 pcs.)



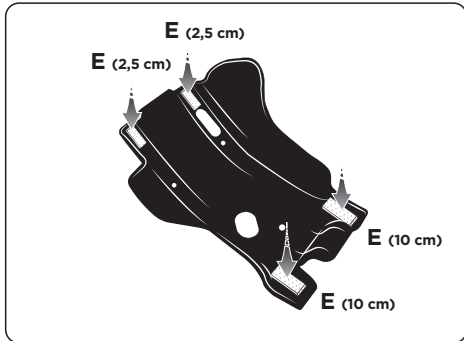
**D**-(2 pcs.)



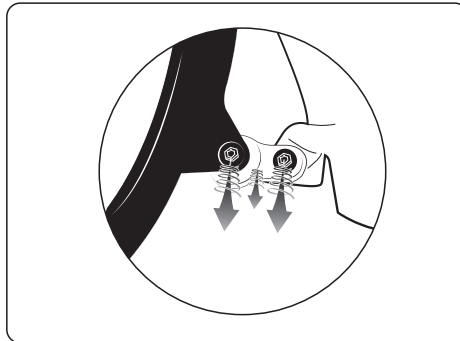
**E**-(1 pcs.)



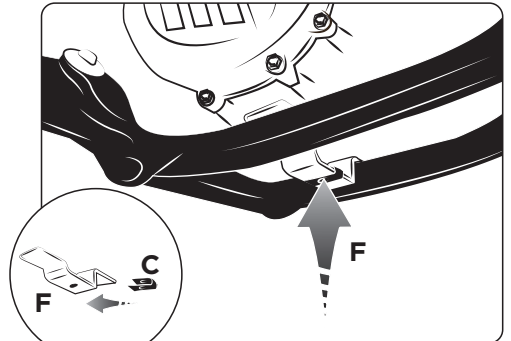
**F**-(1 pcs.)



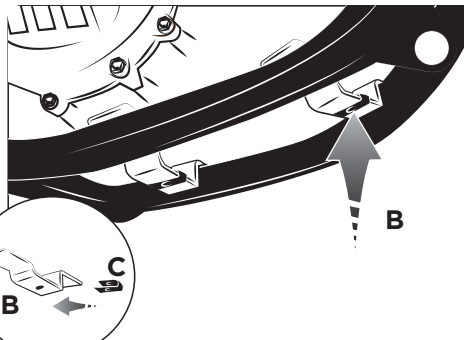
**1.** Tagliare la spugna ed installarla seguendo le misure e posizioni indicate.  
**Cut the sponge and install it following the dimensions and positions indicated.**



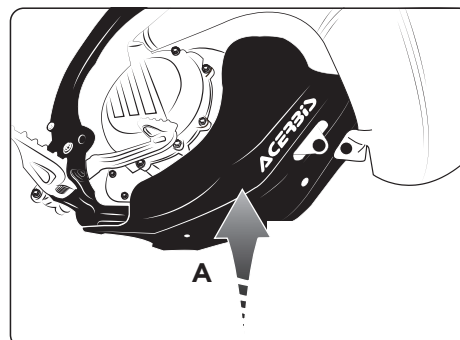
**2.** Rimuovere il Silent Block.  
**Remove the Silent Block.**



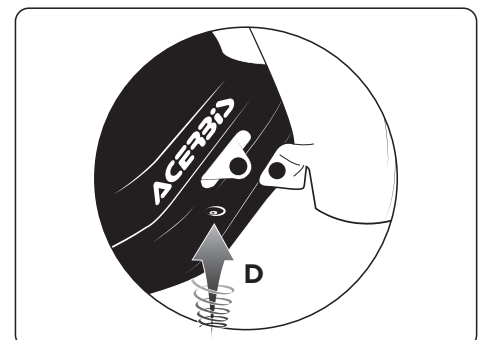
**3.** Assemblare la clips sulla staffa. Appoggiare la prima staffa posteriormente sul telaio.  
**Assemble the clip on the clamp. Place the first clamp on the backward frame.**



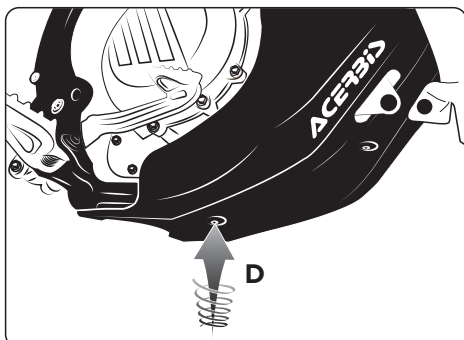
**4.** Assemblare la clips sulla staffa. Fissare la seconda staffa anteriormente sul telaio.  
**Assemble the clip on the clamp. Place the second clamp on the forward frame.**



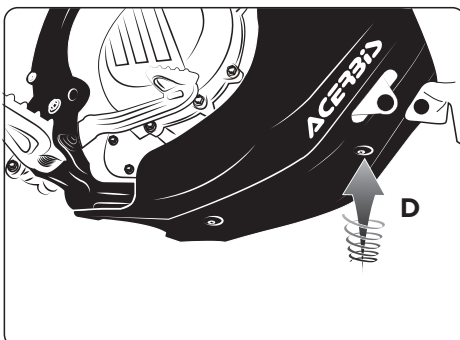
**5.** Posizionare il sottomotore sul telaio.  
**Place the skid plate on the frame.**



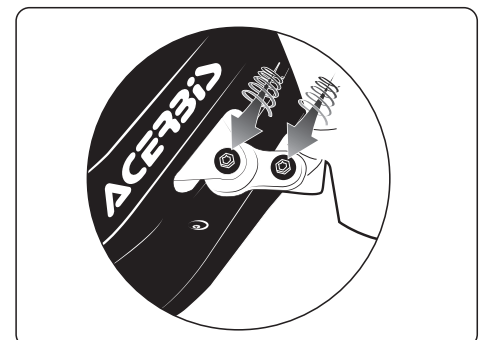
**6.** Fissare la prima vite staffa.  
**Fasten the first clamp's screw without tighten it.**



**7.** Fissare la seconda vite staffa e serrarla.  
**Fasten the second clamp's screw and tighten it.**



**8.** Serrare la prima vite staffa.  
**Tighten the first clamp's screw.**



**9.** Rimontare il silent block.  
**Reassemble the Silent Block.**

**WARNING!**

Use at your own risk. Check the security of your device before you ride. Be sure that you follow the instructions installing the Acerbis products. Do not ride if there is missing or damaged hardware. If this is the case, take the item immediately back to your dealer. Make sure the throttle and other controls are free every time you ride. Lack of attention to instruction and warning could lead to interference with the controls, loss of control, and an accidents. Acerbis recommends that installation must be done by a licensed mechanic and that only Acerbis original parts are used during fitting. Acerbis makes no guarantees or representations, express or implied, regarding the fitness of its products for any particular purpose. Acerbis makes no guarantees or representations, express or implied, regarding the extent to which its product protect individuals or property from injury or death or damage.